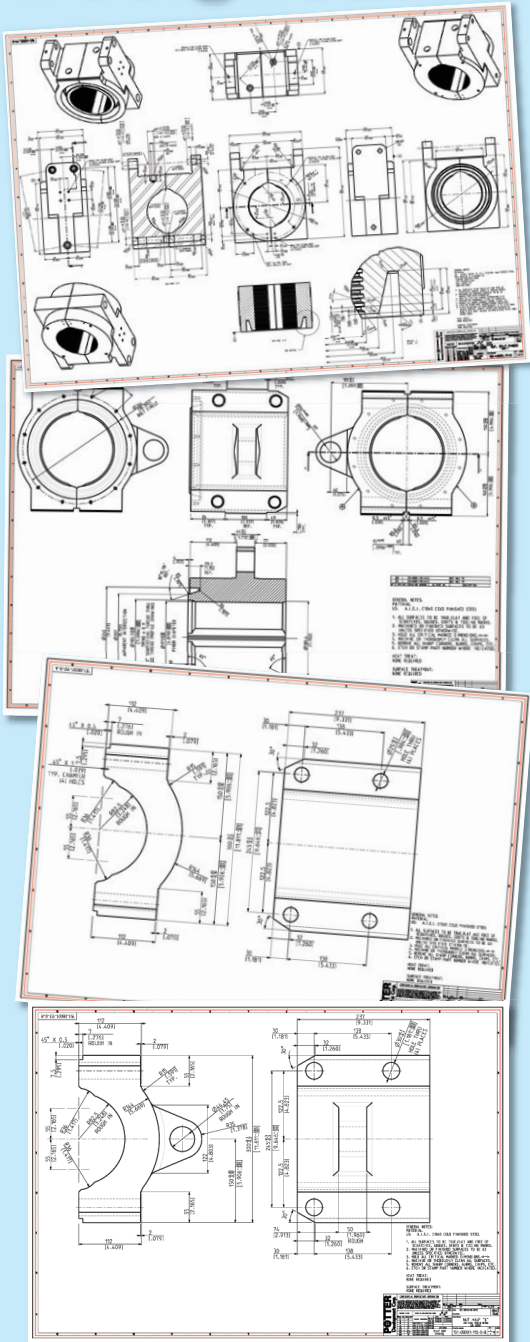


Designed.



Manufactured.

Problem solved!

Customer:

UBE Machinery Inc., Ann Arbor, MI

Location:

UBE
Customer in ALABAMA



Situation:

Plant maintenance personnel broke a complex precision tie-bar nut and their machine was out of production. The customer was short on inventory and risked shutting their customer down within one day. POTTER received the call on Wednesday at 6:10pm.

Solution:

POTTER's emergency response engineers designed a new nut with a material change in order to expedite the manufacturing immediately. POTTER sent couriers to pick up material, drop-shipped material at night to manufacturer with open capacity. POTTER technicians stayed through the evening and delivered completed nut to awaiting aircraft. Aircraft flew single part to Alabama and POTTER representative couriered part to the plant. The plant maintenance personnel installed new nut and the machine was in operation, making production product Thursday afternoon at 3:00 pm.

Delivered Solution... Overnight!

POTTER

www.potterdev.com

405 Madison Ave. • 8th Floor
Toledo, OH 43604

419.248.2748 • Toll Free 888.377-0005

Global Fax **904.212.3057**

Solving complex, critical needs on your timetable.